

Data sheet

Three point controlled actuators

AMV 10, AMV 20, AMV 30

AMV 13, AMV 23, AMV 23 SU, AMV 33 - spring return function



Description

The actuators with or without safety function are available for 3-point controls. The spring return actuators can be used to provide safety shut off on power failure. They are used with VS2, VM2, VB2, VMV and AVQM valves.

In addition to basic function such as manual control and position indication, the actuators are also equipped with force sensitive switch-off to ensure that actuators and valves are not exposed to overload. This function automatically ensures the self-adjustment of the end positions on the valve.

Main data:

- 24 V and 230 V version
- AMV 10, 13 - spindle speed 14 s/mm
- AMV 20, 23, 23 SU - spindle speed 15 s/mm
- AMV 30, 33 - spindle speed 3 s/mm
- spring return function (DIN 32730 registration).

Ordering

| Type | Supply voltage | Code No. |
|--------|----------------|-----------------|
| AMV 10 | 230 V~ | 082G3001 |
| AMV 10 | 24 V~ | 082G3002 |
| AMV 20 | 230 V~ | 082G3007 |
| AMV 20 | 24 V~ | 082G3008 |
| AMV 30 | 230 V~ | 082G3011 |
| AMV 30 | 24 V~ | 082G3012 |

Spring return function - DIN 32730 approval

| Type | Supply voltage | Code No. |
|-----------|----------------|-----------------|
| AMV 13 | 230 V~ | 082G3003 |
| AMV 13 | 24 V~ | 082G3004 |
| AMV 23 | 230 V~ | 082G3009 |
| AMV 23 | 24 V~ | 082G3040 |
| AMV 23 SU | 230 V~ | 082G3041 |
| AMV 23 SU | 24 V~ | 082G3010 |
| AMV 33 | 230 V~ | 082G3013 |
| AMV 33 | 24 V~ | 082G3014 |

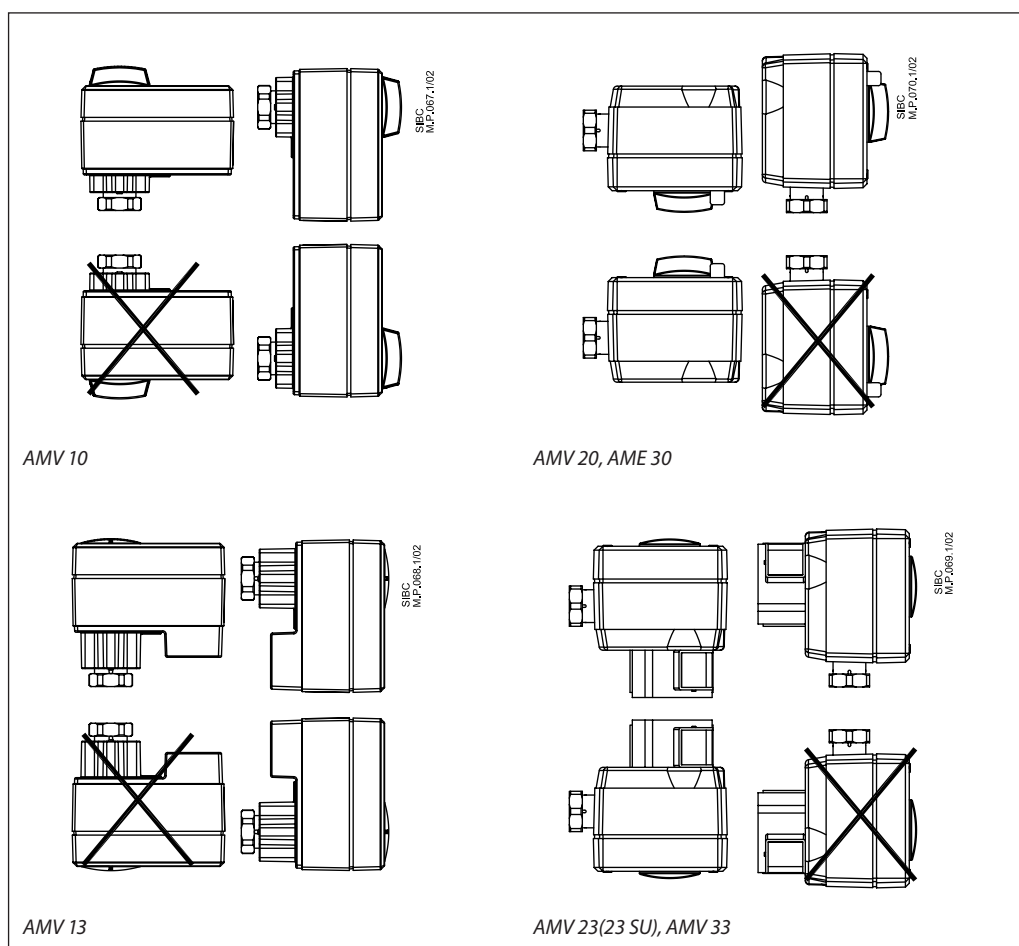
Accessories for AMV 20/23, AMV 30/33

| Type | Code No. |
|--|-----------------|
| Additional switch (2x) | 082G3201 |
| Additional switch (2x) and potentiometer (10 kΩ) | 082G3202 |
| Additional switch (2x) and potentiometer (1 kΩ) | 082G3203 |

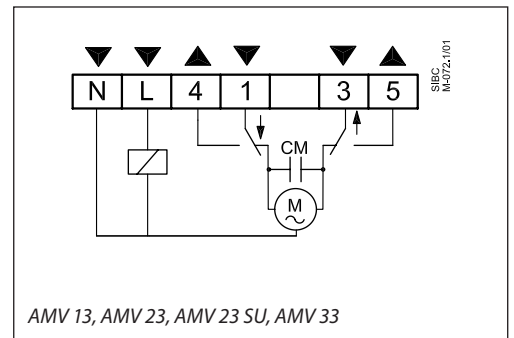
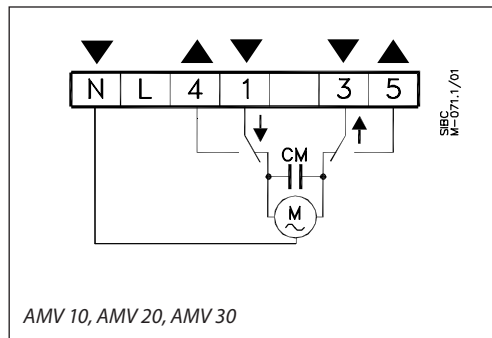
Technical data

| Type | AMV 10 | AMV 13 | AMV 20 | AMV 23, 23 SU | AMV 30 | AMV 33 |
|--|--|--------|---------|---------------|--------|---------|
| Power supply | 24V~, 230V~; +10 ... -15% | | | | | |
| Power consumption | 2 VA | 7 VA | 2 VA | 7 VA | 7 VA | 12 VA |
| Frequency | 50 Hz / 60 Hz | | | | | |
| Control input | 3-point | | | | | |
| Spring return function | - | x | - | x | - | x |
| Close of force | 300 N | | | 450 N | | |
| Max. stroke | 5 mm | | | 10 mm | | |
| Speed | 14 s/mm | | 15 s/mm | | 3 s/mm | |
| Max. medium temperature | 130 °C | | | 150 °C | | |
| Ambient temperature | 0 ... +55 °C | | | | | |
| Storage and transport temp. | -40 ... +70 °C | | | | | |
| Protection code | IP 54 | | | | | |
| Weight | 0.6 kg | 0.8 kg | 1.4 kg | 1.45 kg | 1.4 kg | 1.45 kg |
| CE - marking in accordance with standards | EMC- Directive 2004/108/EEC: EN 60730-1, EN 60730-2-14 Low Voltage Directive 73/23/EEC: EN 60730-1, EN 60730-2-14 | | | | | |

Installation



Wiring



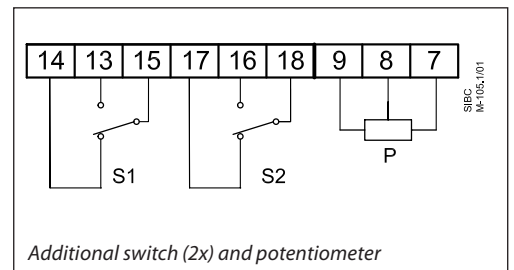
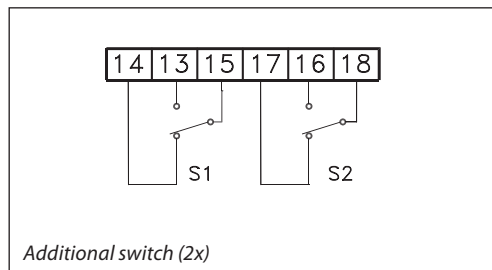
Terminals 1, 3:
Control voltage input from the controller.

L
Supply power 24 V~, 230 V~

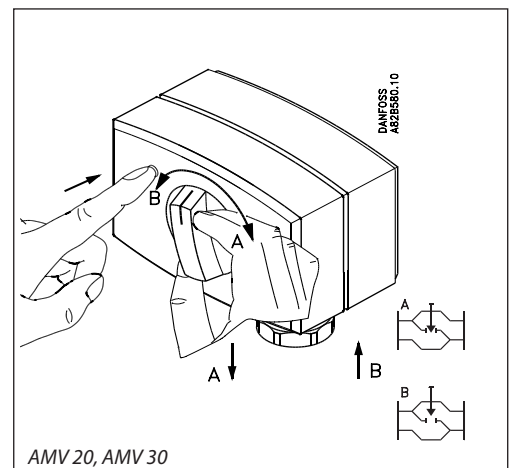
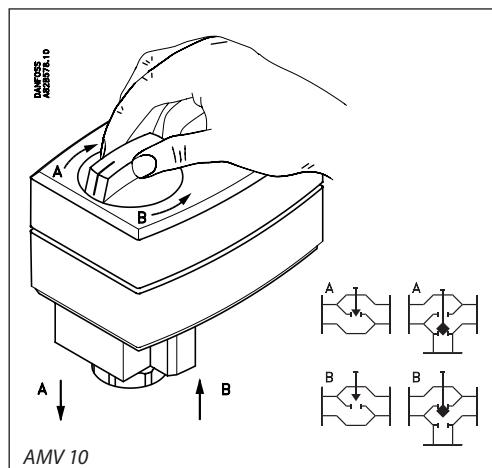
Terminals 4, 5:
Output used for position indication or monitoring.

N
Common (0 V)

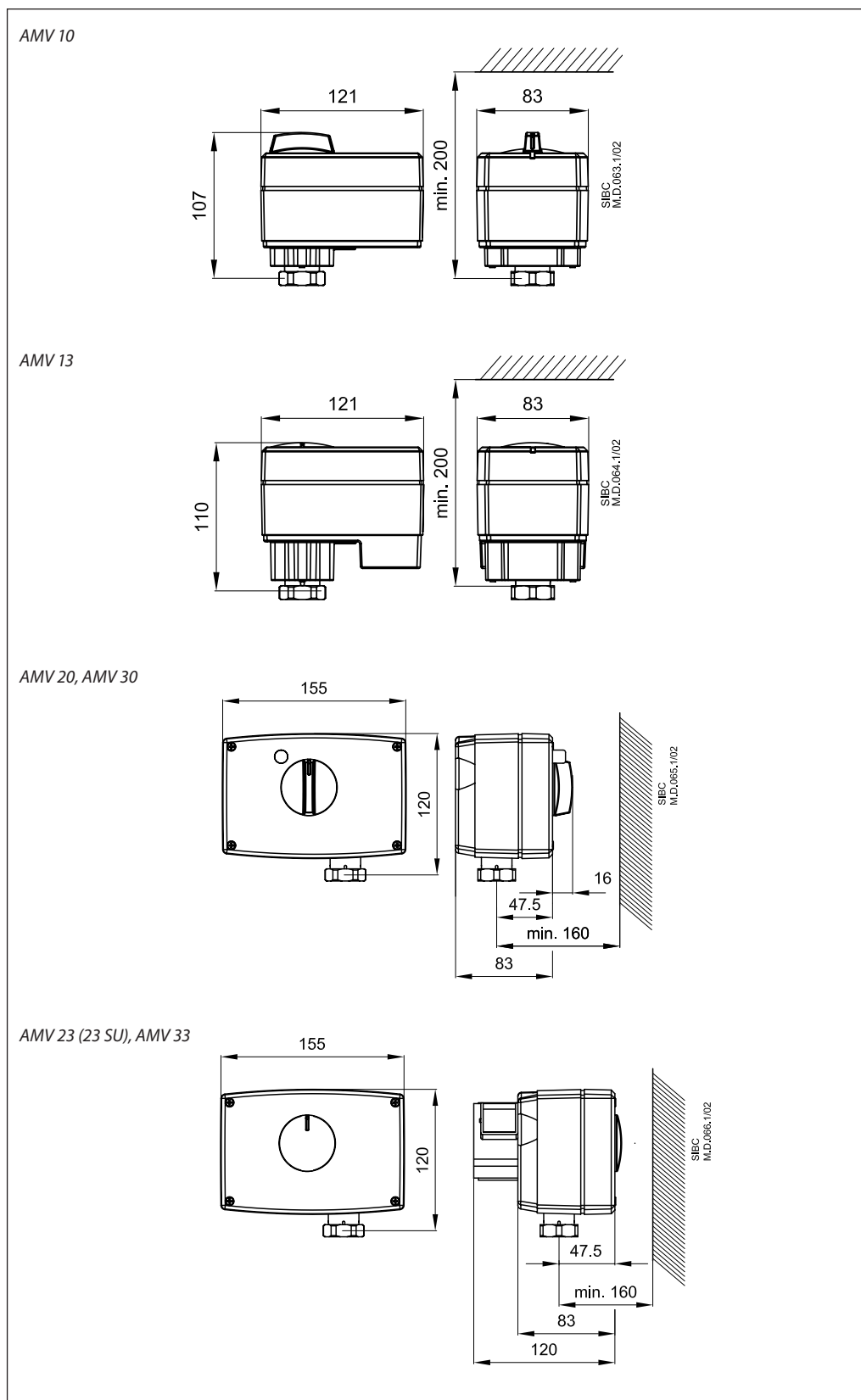
Wiring - accessories



Manual Override



Dimensions



Actuator - valve combinations

| | | |
|---|--|---|
| | | |
| <p>AMV 10, AMV 13 + VM2 (DN 15 - 25) VS2 (DN 15 - 25)</p> | <p>AMV 10, AMV 13 + VB2 (DN 15 - 20)</p> | <p>AMV 10 + VMV (DN 15 - 40)</p> |
| | | |
| <p>AMV 20/30, AMV 23/33 + VM2 (DN 15 - 50) VS2 (DN 15 - 25)</p> | <p>AMV 20/30, AMV 23/33 + VB2 (DN 15 - 50)</p> | <p>AMV 20/30, AMV 23/33 + AVQM (DN 15 - 50)</p> |

Danfoss can accept no responsibility for possible errors in catalogues, brochures and other printed material. Danfoss reserves the right to alter its products without notice. This also applies to products already on order provided that such alterations can be made without subsequential changes being necessary in specifications already agreed. All trademarks in this material are property of the respective companies. Danfoss and the Danfoss logotype are trademarks of Danfoss A/S. All rights reserved.

